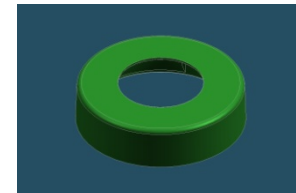
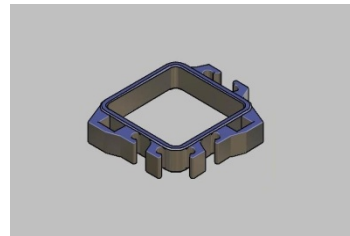
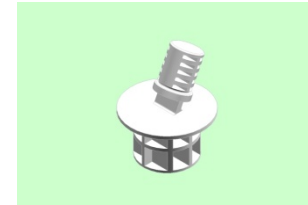
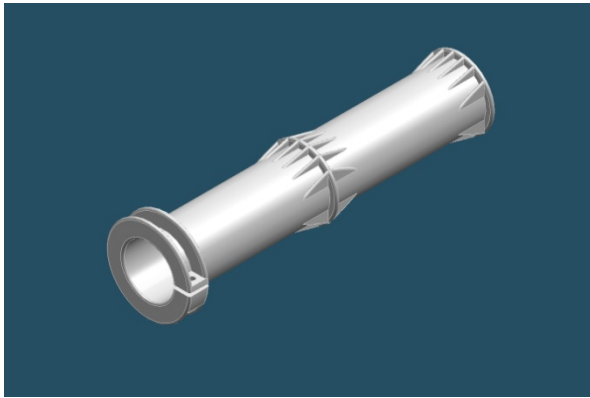


# Innovative components for wire fencings



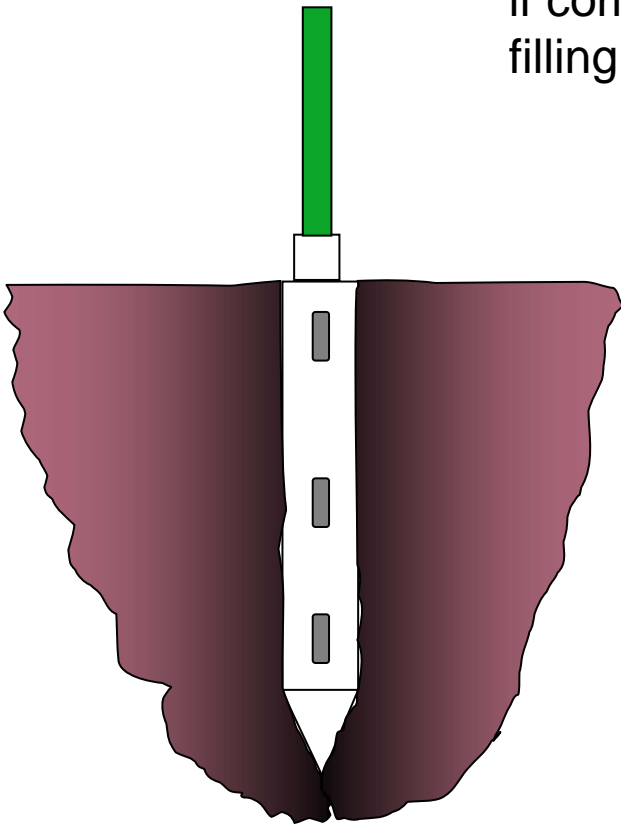
## Agojet "Terrain" for terrain insertion



Available for mm. 50 e 60 round posts , and 40 mm. square and **T** posts

## Main benefits:

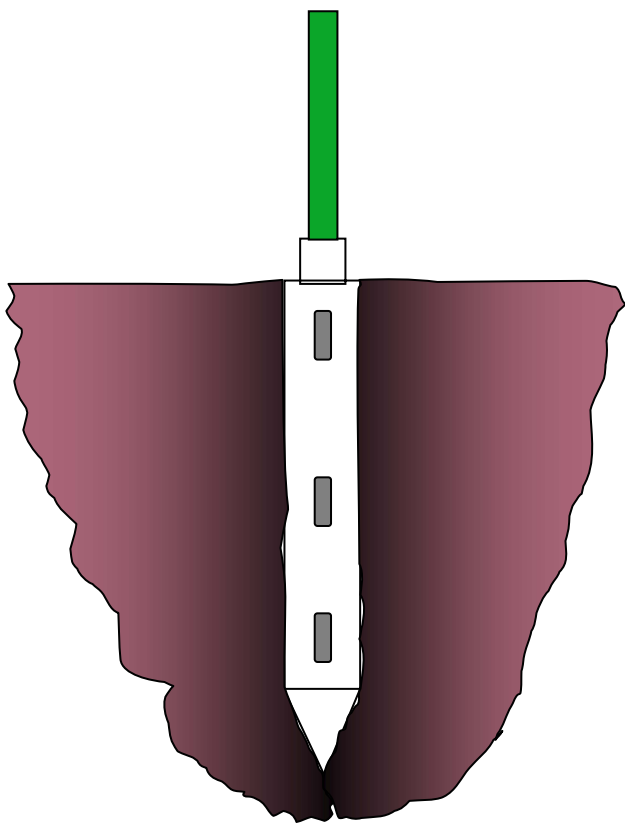
1- The insert , thanks to its shape, fast and easily enter the terrain by a mechanical or vibrating tool, so saving time if compared to traditional systems (digging a hole and filling it with concrete)



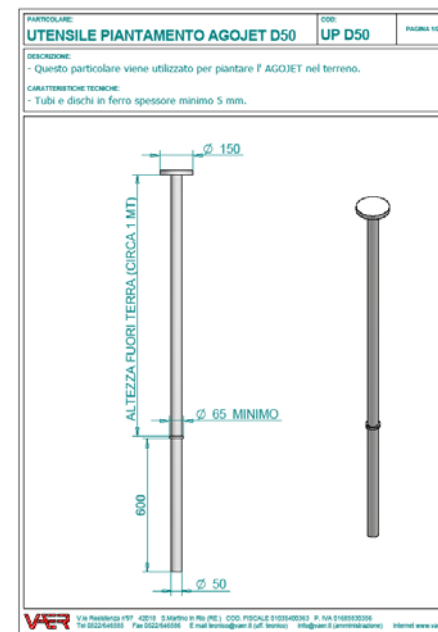
2- in case of damages, the post can be easily replaced

## Insertion

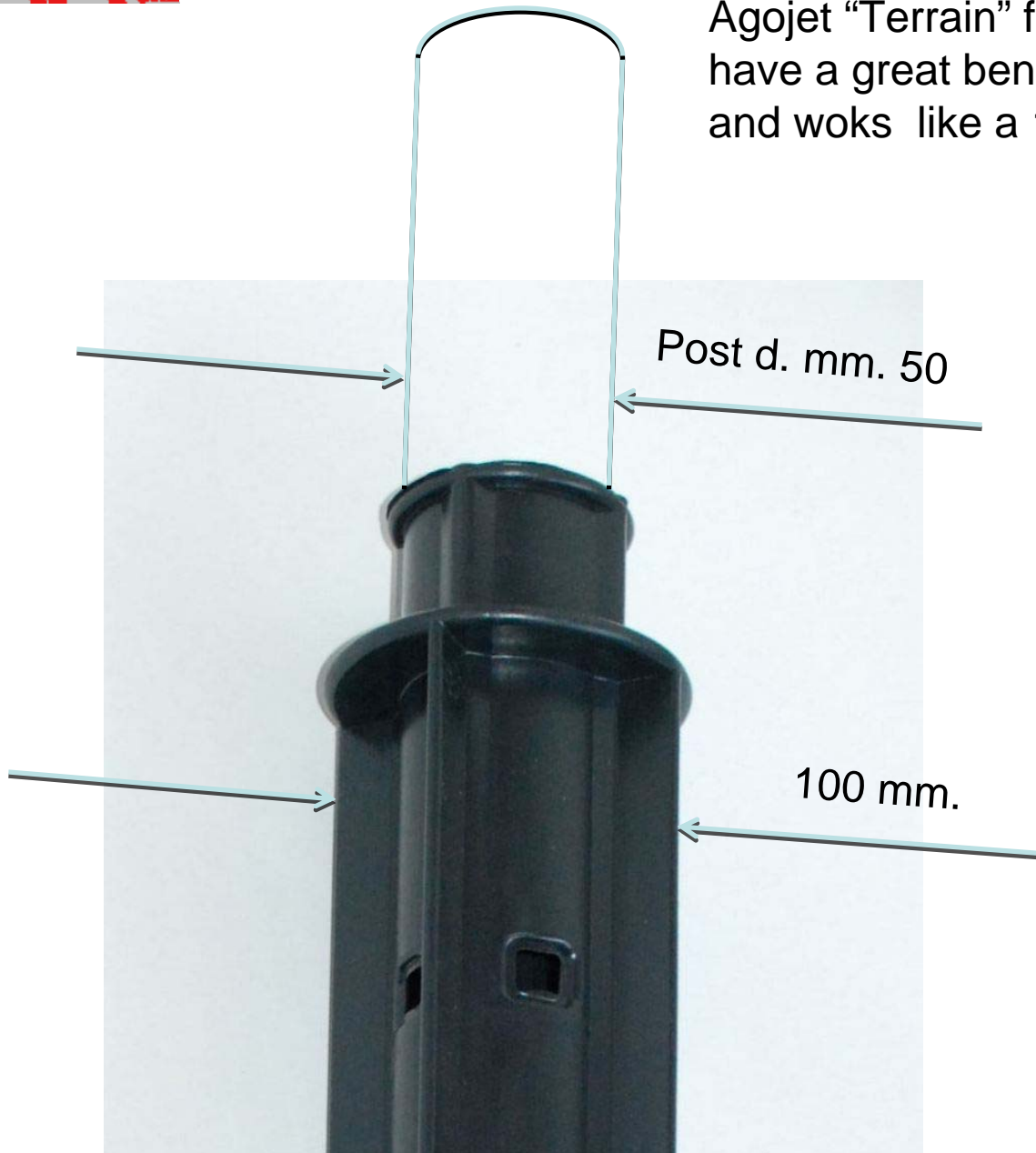
The insertion need a simple tool (see drawing) and can be done also in hard and compact terrains. In case of gravel or stones please test it to avoid any risk of breaking



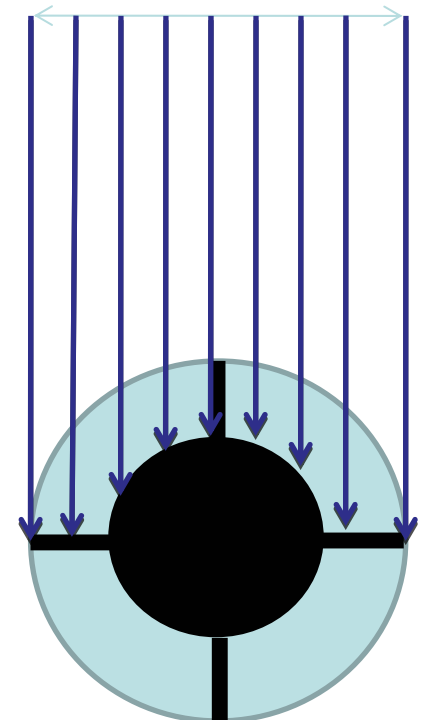
Timing: normally two operators using an excavator with a vibrating hammer attachment can insert Agojet complete with post in n. 2 minutes



Agojet "Terrain" for mm. 50 posts have a great bending resistant section and works like a 100 mm. post



Resistant section max. is 100 mm. x h. mm. 600



## Agojet “Concrete” for concrete insertion

- Model for round and T posts



Both parts are made with polypropylene, and have high resistance to UV ray ozone etc, so they have a long life and no colour changings

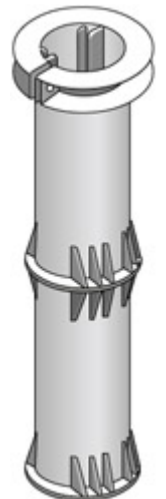
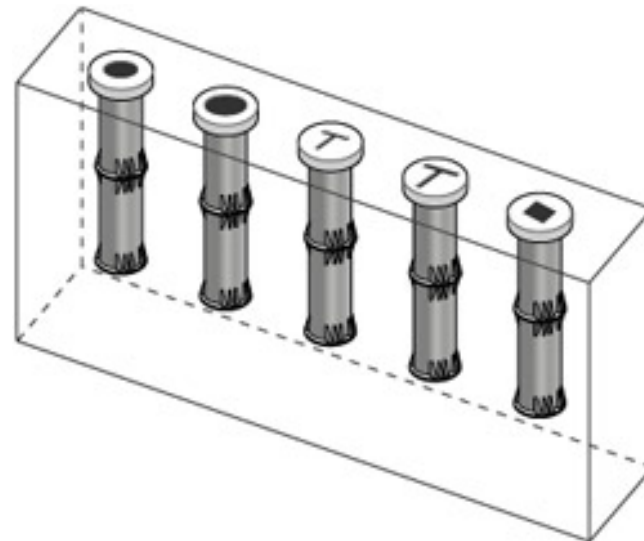
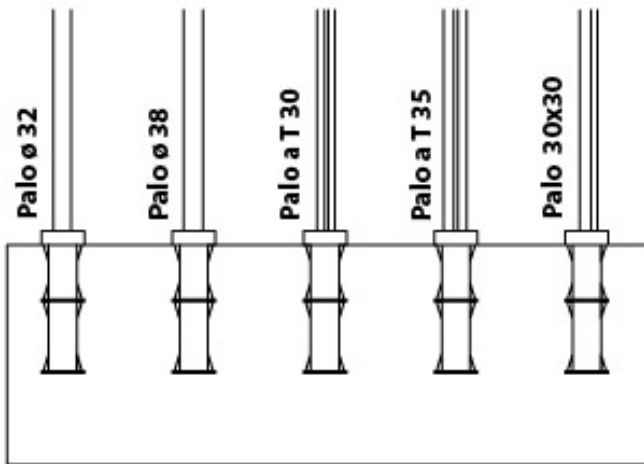
# Installation

1- Agojet "Concrete" can be used with different posts' size and shape (see below)

Agojet "Concrete" must be positioned at the right distance one each other when the concrete is still fresh, then adjust the level by the green unit, wait the concrete hardening and put the post, covering it with its caps



**Mounting time** : one operator can position and level n. 1 Agojet "Concrete" in 1 minute, then another minute is needed to put the post , fix the screw and cover with cap.



# Agojet "Concrete"

## Main benefits:

- 1- Agojet "Concrete" can be positioned in fresh concrete (faster system) as well as during the preparation of the wall (picture)
- 2- positioning time is always very short
- 3- In case of damages the post can be easily replaced

